

---

# IMERA METAL

---

Cable Management Systems



## W-I-C-U-L SERISI

SUPPORT SYSTEMS

DESTEK SİSTEMLERİ

## Duvar Konsolu (Kaynaksiz)

## Brackets for Wall Mounting( No Welded)



MODEL CODE	T (mm)	L (mm)	Weight (kg/m)
BW 05	1.5	50	0.11
BW 10	1.5	100	0.19
BW 16	1.5	160	0.26
BW 20	1.5	200	0.31
BW 30	2.0	300	0.71
BW 40	2.0	400	0.91
BW 50	2.0	500	1.10
BW 60	2.0	600	1.31

**T:** Thickness  
**L:** Length

\*PG: Steel, Pregalvanised ISO EN 10346 (TS 822).

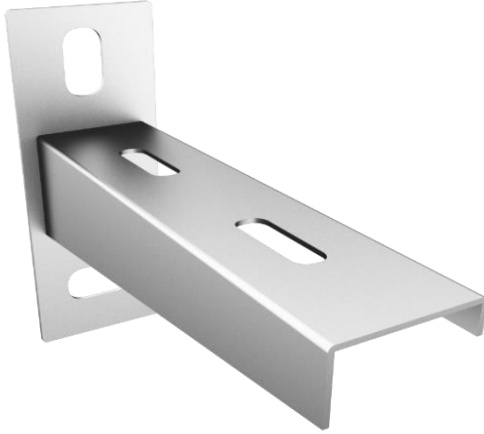
\*HDG: Steel, Hot Dip Galvanised EN ISO 1461).

\*Epoxy: Electrostatic Powder Coated.(on request 50 different color.)

PG	HDG	EPOXY
+	+	+

## Duvar Konsolu (Kaynakli)

## Brackets for Wall Mounting (Welded)



MODEL CODE	T (mm)	L (mm)	Weight (kg/m)
BWW 05	1.5	50	0.18
BWW 10	1.5	100	0.23
BWW 16	1.5	160	0.29
BWW 20	1.5	200	0.33
BWW 30	1.5	300	0.89
BWW 40	1.5	400	1.06
BWW 50	1.5	500	1.23
BWW 60	1.5	600	1.41

**T:** Thickness  
**L:** Length

PG	HDG	EPOXY
+	+	+

\*PG: Steel, Pregalvanised ISO EN 10346 (TS 822).

\*HDG: Steel, Hot Dip Galvanised EN ISO 1461).

\*Epoxy: Electrostatic Powder Coated.(on request 50 different color.)

## Yere ve Duvara Tespit Elemanı

## Brackets for Wall and Floor Mounting

MODEL CODE	T (mm)	D (mm)	Weight (kg/m)
BWF 305	2.0	50 x 30	0.08
BWF 310	2.0	100 x 30	0.10
BWF 316	2.0	160 x 30	0.13
BWF 320	2.0	200 x 30	0.15
BWF 330	3.0	300 x 30	0.30
BWF 340	3.0	400 x 30	0.37
BWF 350	3.0	500 x 30	0.44
BWF 360	3.0	600 x 30	0.51

\*PG: Steel, Pregalvanised ISO EN 10346 (TS 822).

\*HDG: Steel, Hot Dip Galvanised EN ISO 1461).

\*Epoxy: Electrostatic Powder Coated.(on request 50 different color.)

PG	HDG	EPOXY
+	+	+



T: Thickness  
D: Dimention

## L Tipi Kanal Destek Elemanı

## L Type Brackets for Wall and Floor Mounting

MODEL CODE	T (mm)	D (mm)	Weight (kg/m)
LB 24	2.0	20 x 40	0.94
LB 44	2.0	40 x 40	1.26

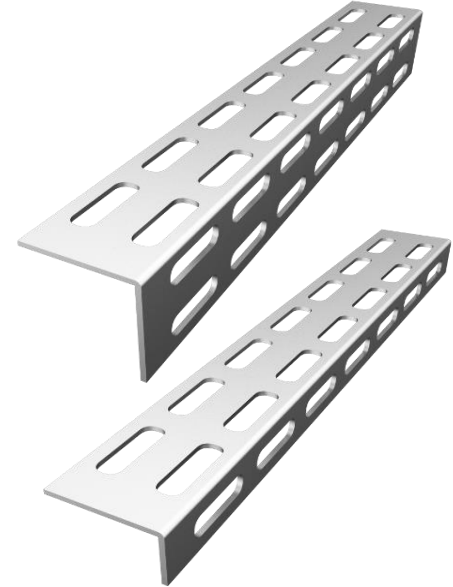
\*PG: Steel, Pregalvanised ISO EN 10346 (TS 822).

\*HDG: Steel, Hot Dip Galvanised EN ISO 1461).

\*Epoxy: Electrostatic Powder Coated.(on request 50 different color.)

PG	HDG	EPOXY
+	+	+

T: Thickness  
D: Dimention



## Z Tipi Kanal Destek Elemanı

## Z Type Brackets for Wall and Floor Mounting

MODEL CODE	T (mm)	D (mm)	Weight (kg/m)
ZB 222	2.0	20x20x20	0.94
ZB 444	2.0	40 x 40 x 40	1.88

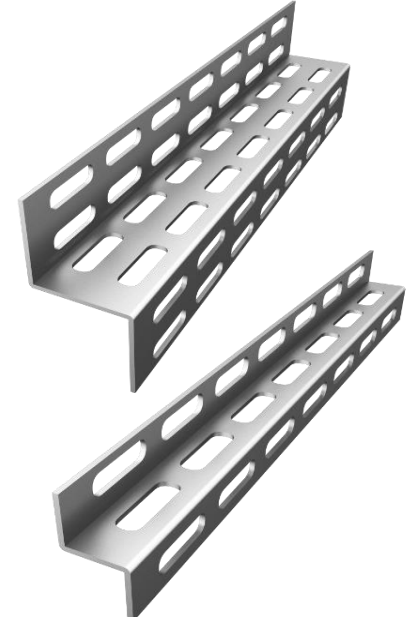
\*PG: Steel, Pregalvanised ISO EN 10346 (TS 822).

\*HDG: Steel, Hot Dip Galvanised EN ISO 1461).

\*Epoxy: Electrostatic Powder Coated.(on request 50 different color.)

PG	HDG	EPOXY
+	+	+

T: Thickness  
D: Dimention



## Askı Tiji

## Threaded Rod

MODEL CODE	L (mm)	D (mm)	Weight (kg/m)
TRM6 50	500	M6	0.08
TRM6 100	1000	M6	0.15
TRM6 200	2000	M6	0.30
TRM8 50	500	M8	0.15
TRM8 100	1000	M8	0.30
TRM8 200	2000	M8	0.60
TRM10 50	500	M10	0.24
TRM10 100	1000	M10	0.48
TRM10 200	2000	M10	0.96
TRM12 50	500	M12	0.34
TRM12 100	1000	M12	0.68
TRM12 200	2000	M12	0.36

**L :** Length  
**D :** Dimentions



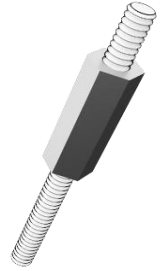
\*EG: Electro Zinc Coated.

## Tij Uzatma Somunu

## Threaded Rod Couplers (Connectors)

MODEL CODE	D (mm)	Weight (kg/m)
TRC 6	M6	0.01
TRC 8	M8	0.02
TRC 10	M10	0.03
TRC 12	M12	0.04

**L :** Length  
**D :** Dimentions



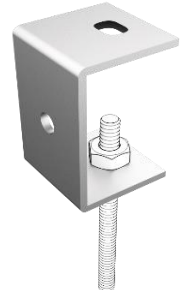
\*EG: Electro Zinc Coated.

## Tavan Tespit ( U Tipi )

## Threaded Rod Head Plate ( U Type )

MODEL CODE	T (mm)	Weight (kg/m)
TR 01	3.0	0.11

**T :** Thickness



\*PG: Steel, Pregalvanised ISO EN 10346 (TS 822).

\*HDG: Steel, Hot Dip Galvanised EN ISO 1461).

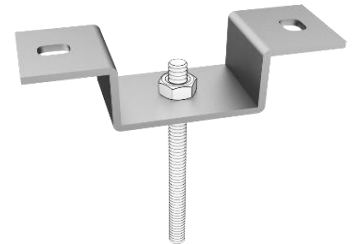
\*SS: Stainless Steel AISI304.

## Tavan Tespit ( W Tipi )

## Threaded Rod Head Plate ( W Type )

MODEL CODE	T (mm)	Weight (kg/m)
TR 02	3.0	0.15

**T :** Thickness



\*PG: Steel, Pregalvanised ISO EN 10346 (TS 822).

\*HDG: Steel, Hot Dip Galvanised EN ISO 1461).

\*SS: Stainless Steel AISI304.

## Tavan Tespit ( V Tipi )

## Threaded Rod Head Plate ( V Type )

MODEL CODE	T (mm)	Weight (kg/m)
TR 03	3.0	0.17

**T :** Thickness



\*PG: Steel, Pregalvanised ISO EN 10346 (TS 822).

\*HDG: Steel, Hot Dip Galvanised EN ISO 1461).

\*SS: Stainless Steel AISI304.

PG	HDG	SS
+	+	+

## Tek Tijli Kanal Taşıyıcı

## Single Rod Tray Carrier

MODEL CODE	L (mm)	T (mm)	Weight (kg/m)
TC1 50	55	1.5	0.10
TC1 100	105	1.5	0.14
TC1 160	165	1.5	0.18
TC1 200	205	2.0	0.20
TC1 300	305	2.0	0.39
TC1 400	405	2.0	0.49

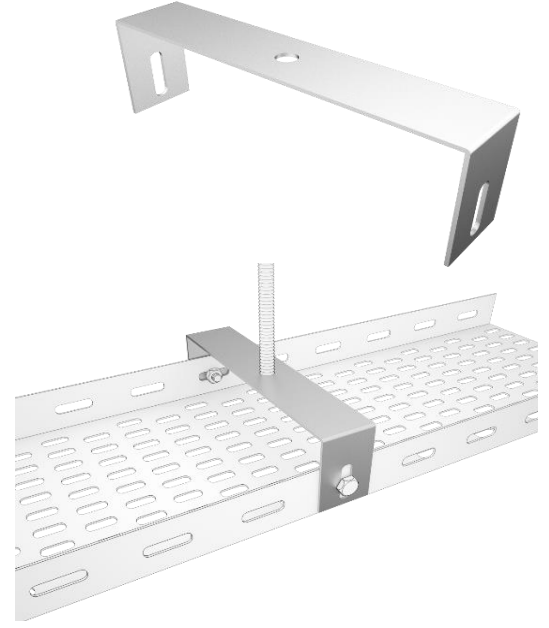
\*PG: Steel, Pregalvanised ISO EN 10346 (TS 822).

\*HDG: Steel, Hot Dip Galvanised EN ISO 1461).

\*SS: Stainless Steel AISI304.

PG	HDG	SS
+	+	+

T : Thickness  
L : Length



## Çift Tijli Kanal Taşıyıcı ( L Tipi )

## Double Rod Tray Carrier ( L Type )

MODEL CODE	L (mm)	T (mm)	Weight (kg/m)
TC2 160	220	1.5	0.22
TC2 200	260	1.5	0.25
TC2 300	360	1.5	0.35
TC2 400	460	1.5	0.45
TC2 500	560	1.5	0.55
TC2 600	660	1.5	0.65

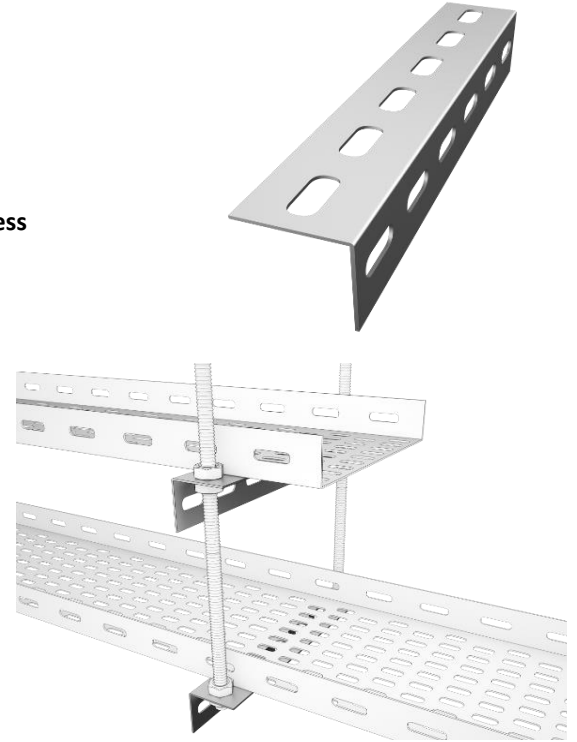
\*PG: Steel, Pregalvanised ISO EN 10346 (TS 822).

\*HDG: Steel, Hot Dip Galvanised EN ISO 1461).

\*SS: Stainless Steel AISI304.

PG	HDG	SS
+	+	+

T : Thickness  
L : Length

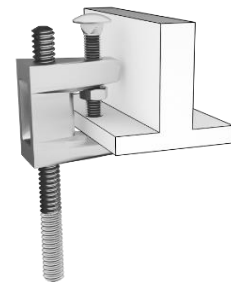


## Askı Mengenesi

## Support Hanger Clamp

MODEL CODE	L (mm)	Weight (kg/m)
PAM 1	60	0.19
PAM 2	110	0.24
PAM 3	170	0.29

L : Length



\*CASTING.

## Çift Tijli Kanal Taşıyıcı ( U Tipi )

## Double Rod Tray Carrier ( U Type )

MODEL CODE	L (mm)	T (mm)	Weight (kg/m)
TC3 160	220	2.0	0.37
TC3 200	260	2.0	0.43
TC3 300	360	2.0	0.60
TC3 400	460	2.0	0.77
TC3 500	560	2.0	0.93
TC3 600	660	2.0	1.10

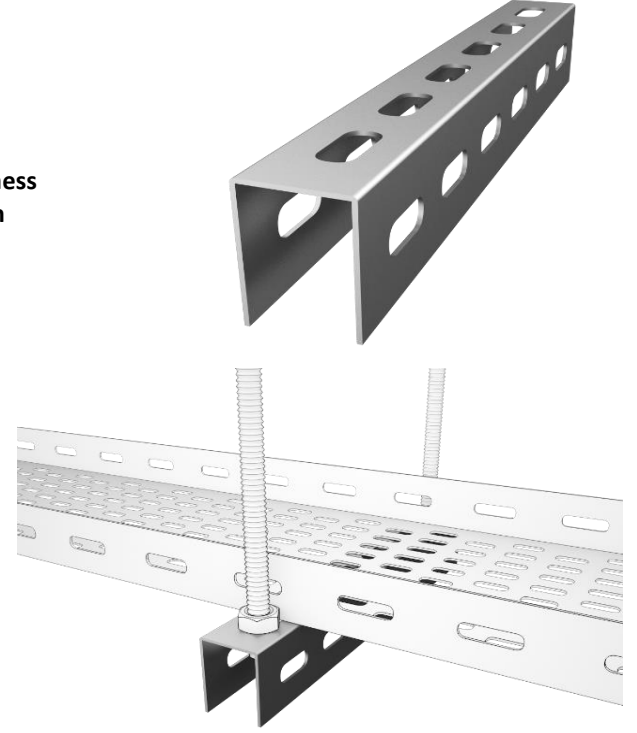
\*PG: Steel, Pregalvanised ISO EN 10346 (TS 822).

\*HDG: Steel, Hot Dip Galvanised EN ISO 1461.

\*SS: Stainless Steel AISI304.

PG	HDG	SS
+	+	+

T : Thickness  
L : Length



## Tek Tijli Kanal Taşıyıcı ( C Tipi )

## Single Rod Tray Carrier ( C Type )

MODEL CODE	L (mm)	T (mm)	Weight (kg/m)
TC4 50	60	3.0	0.19
TC4 100	110	3.0	0.24
TC4 160	170	3.0	0.29
TC4 200	210	3.0	0.32

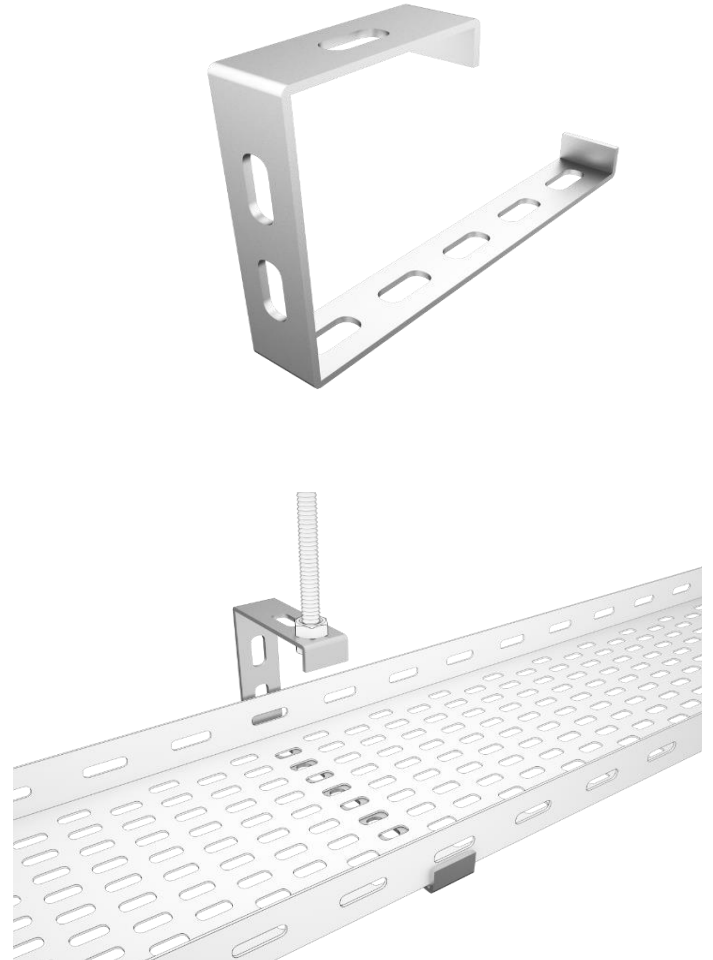
\*PG: Steel, Pregalvanised ISO EN 10346 (TS 822).

\*HDG: Steel, Hot Dip Galvanised EN ISO 1461.

\*SS: Stainless Steel AISI304.

PG	HDG	SS
+	+	+

T : Thickness  
L : Length



## U Profil 30 x 50 mm

## U Profile 30 x 50 mm

MODEL CODE	H (mm)	W (mm)	D (mm)	T (mm)	Weight (kg/m)
US 3050 12	30	50	30 x 50	1.2	1.04
US 3050 15	30	50	30 x 50	1.5	1.30
US 3050 20	30	50	30 x 50	2.0	1.73
US 3050 25	30	50	30 x 50	2.5	2.16
US 4060 12	40	60	40 x 60	1.2	1.32
US 4060 15	40	60	40 x 60	1.5	1.65
US 4060 20	40	60	40 x 60	2.0	2.20
US 4060 25	40	60	40 x 60	2.5	2.75



\* Standart length(L) 3000 mm / on request 500 - 2500 mm.

\*PG: Steel, Pregalvanised ISO EN 10346 (TS 822).

\*HDG: Steel, Hot Dip Galvanised EN ISO 1461.

\*Epoxy: Electrostatic Powder Coated.(on request 50 different color.)

\*SS: Stainless Steel AISI304.

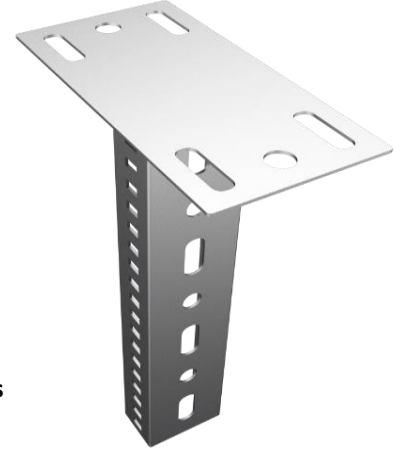
PG	HDG	EPOXY	SS
+	+	+	+

**H:** Height  
**W:** Width  
**D:** Dimentions  
**T:** Thickness

## U Profil Kaynakli Tavan Tespit

## U Profile Ceiling Support Welded

MODEL CODE	L (mm)	T (mm)	Weight (kg/m)
UH 10	100	2.0	0.48
UH 25	250	2.0	0.75
UH 50	500	2.0	1.20
UH 75	750	2.0	1.65
UH 100	1000	2.0	2.10
UH 150	1500	2.0	3.00
UH 200	2000	2.0	3.89



\*May be ordered in different thickness and length.

\*PG: Steel, Pregalvanised ISO EN 10346 (TS 822).

\*HDG: Steel, Hot Dip Galvanised EN ISO 1461.

\*Epoxy: Electrostatic Powder Coated.(on request 50 different color.)

\*SS: Stainless Steel AISI304.

PG	HDG	EPOXY	SS
+	+	+	+

**T:** Thickness  
**L:** Length

## U Profil Birlestirme Elemani

## U Profile Coupler ( Connector )

MODEL CODE	L (mm)	T (mm)	Weight (kg/m)
UCE	200	2.0	0.34

**T:** Thickness  
**L:** Length



\*PG: Steel, Pregalvanised ISO EN 10346 (TS 822).

\*HDG: Steel, Hot Dip Galvanised EN ISO 1461.

\*Epoxy: Electrostatic Powder Coated.(on request 50 different color.)

\*SS: Stainless Steel AISI304.

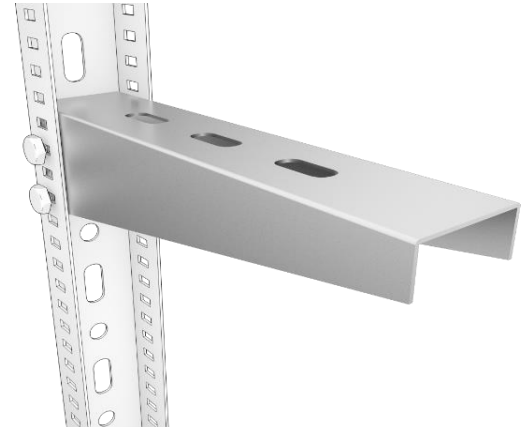
PG	HDG	EPOXY	SS
+	+	+	+

## U Profil Sivama Konsolu

## U Profile Brackets

MODEL CODE	L (mm)	T (mm)	Weight (kg/m)
UB 10	130	1.5	0.28
UB 16	190	1.5	0.41
UB 20	230	1.5	0.50
UB 30	330	2.0	0.65
UB 40	430	2.0	0.85
UB 50	530	2.0	1.10
UB 60	630	2.0	1.25

**T** : Thickness  
**L** : Length



\*PG: Steel, Pregalvanised ISO EN 10346 (TS 822).

\*HDG: Steel, Hot Dip Galvanised EN ISO 1461.

\*Epoxy: Electrostatic Powder Coated.(on request 50 different color.)

\*SS: Stainless Steel AISI304.

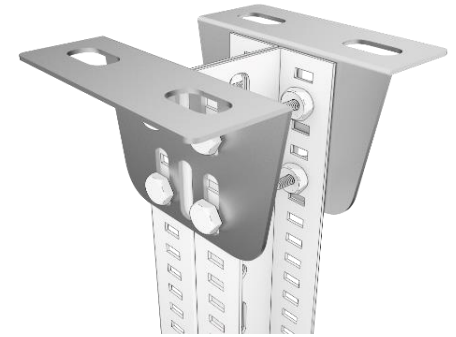
PG	HDG	EPOXY	SS
+	+	+	+

## U Profil Tespit L Tipi

## U Profile Ceiling Support L Type

MODEL CODE	Size (mm)	T (mm)	Weight (kg/m)
UHL 15	120 x 40	1.5	0.10
UHL 20	120 x 40	2.0	0.14

**T** : Thickness



\*PG: Steel, Pregalvanised ISO EN 10346 (TS 822).

\*HDG: Steel, Hot Dip Galvanised EN ISO 1461.

\*Epoxy: Electrostatic Powder Coated.(on request 50 different color.)

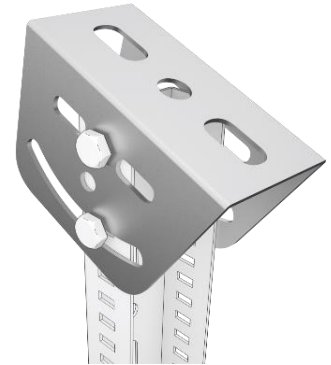
\*SS: Stainless Steel AISI304.

## U Profil Tespit Ayarlanabilir Tip

## U Profile Ceiling Support Adjustable Type

MODEL CODE	Size (mm)	T (mm)	Weight (kg/m)
UHA	120 x 58	2.0	0.34

**T** : Thickness



\*PG: Steel, Pregalvanised ISO EN 10346 (TS 822).

\*HDG: Steel, Hot Dip Galvanised EN ISO 1461.

\*Epoxy: Electrostatic Powder Coated.(on request 50 different color.)

\*SS: Stainless Steel AISI304.

## U Profil Tespit Ayarlanabilir L Tipi

## U Profile Ceiling Support Adjustable L Type

MODEL CODE	Size (mm)	T (mm)	Weight (kg/m)
UHAL	120 x 40	2.0	0.17

**T** : Thickness



\*PG: Steel, Pregalvanised ISO EN 10346 (TS 822).

\*HDG: Steel, Hot Dip Galvanised EN ISO 1461.

\*Epoxy: Electrostatic Powder Coated.(on request 50 different color.)

\*SS: Stainless Steel AISI304.

PG	HDG	EPOXY	SS
+	+	+	+



## C Profil 21 x 41 mm

## C Profile 21 x 41 mm

MODEL CODE	H (mm)	W (mm)	D (mm)	T (mm)	Weig ht
CS 2141 15	21	41	21 x 41	1.5	1.21
CS 2141 20	21	41	21 x 41	2.0	1.62
CS 2141 25	21	41	21 x 41	2.5	2.02
CS 2141Y 15	21	41	21 x 41	1.5	1.21
CS 2141Y 20	21	41	21 x 41	2.0	1.62
CS 2141Y 25	21	41	21 x 41	2.5	2.02

\* Standart length(L) 3000 mm / on request 100 - 2500 mm.

\*PG: Steel, Pregalvanised ISO EN 10346 (TS 822).

\*HDG: Steel, Hot Dip Galvanised EN ISO 1461).

\*Epoxy: Electrostatic Powder Coated.(on request 50 different color.)

\*SS: Stainless Steel AISI304.

PG	HDG	EPOXY	SS
+	+	+	+



Y Type

## C Profil 41 x 41 mm

## C Profile 41 x 41 mm

MODEL CODE	H (mm)	W (mm)	D (mm)	T (mm)	Weig ht
CS 4141 15	41	41	41 x 41	1.5	1.68
CS 4141 20	41	41	41 x 41	2.0	2.25
CS 4141 25	41	41	41 x 41	2.5	2.81
CS 4141Y 15	41	41	41 x 41	1.5	1.68
CS 4141Y 20	41	41	41 x 41	2.0	2.25
CS 4141Y 25	41	41	41 x 41	2.5	2.81

\* Standart length(L) 3000 mm / on request 100 - 2500 mm.

\*PG: Steel, Pregalvanised ISO EN 10346 (TS 822).

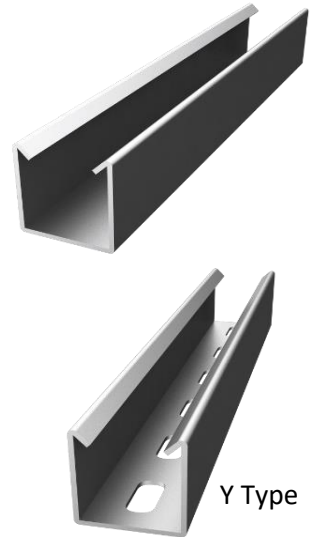
\*HDG: Steel, Hot Dip Galvanised EN ISO 1461).

\*Epoxy: Electrostatic Powder Coated.(on request 50 different color.)

\*SS: Stainless Steel AISI304.

PG	HDG	EPOXY	SS
+	+	+	+

**H:** Height  
**W:** Width  
**D:** Dimentions  
**T:** Thickness



Y Type

## C Profil 21 x 41 mm Kaynakli Konsol

## C Profile 21 x 41 mm Welded

MODEL CODE	L (mm)	T (mm)	Weight (kg/m)
CS 21 50	60	2.5	0.47
CS 21 100	110	2.5	0.55
CS 21 160	170	2.5	0.65
CS 21 200	210	2.5	0.72
CS 21 300	310	2.5	0.88
CS 21 400	410	2.5	1.04

\* On request thickness can be 1.5 mm or 2.0 mm.

\*PG: Steel, Pregalvanised ISO EN 10346 (TS 822).

\*HDG: Steel, Hot Dip Galvanised EN ISO 1461).

\*Epoxy: Electrostatic Powder Coated.(on request 50 different color.)

\*SS: Stainless Steel AISI304.

PG	HDG	EPOXY	SS
+	+	+	+

**T:** Thickness  
**L:** Length



## C Profil 41 x 41 mm Kaynakli Konsol

## C Profile 41 x 41 mm Welded

MODEL CODE	L (mm)	T (mm)	Weight (kg/m)
CS 41 50	60	2.5	0.54
CS 41 100	110	2.5	0.69
CS 41 160	170	2.5	0.85
CS 41 200	210	2.5	0.97
CS 41 300	310	2.5	1.25
CS 41 400	410	2.5	1.53
CS 41 500	510	2.5	1.81
CS 41 600	610	2.5	2.09

T : Thickness  
L : Length



- \* On request thickness can be 1.5 mm or 2.0 mm.
- \*PG: Steel, Pregalvanised ISO EN 10346 (TS 822).
- \*HDG: Steel, Hot Dip Galvanised EN ISO 1461).
- \*Epoxy: Electrostatic Powder Coated.(on request 50 different color.)
- \*SS: Stainless Steel AISI304.

## C Profil 21 x 41 mm Tavan Tespit

## C Profil 21 x 41 mm Hanging Support

MODEL CODE	L (mm)	T (mm)	Weight (kg/m)
CH 21 25	250	2.5	1.54
CH 21 50	500	2.5	1.94
CH 21 75	750	2.5	2.34
CH 21 100	1000	2.5	2.75
CH 21 125	1250	2.5	3.15
CH 21 150	1500	2.5	3.56

T : Thickness  
L : Length



- \* On request thickness can be 1.5 mm or 2.0 mm.
- \*PG: Steel, Pregalvanised ISO EN 10346 (TS 822).
- \*HDG: Steel, Hot Dip Galvanised EN ISO 1461).
- \*Epoxy: Electrostatic Powder Coated.(on request 50 different color.)
- \*SS: Stainless Steel AISI304.

<b>PG</b>	<b>HDG</b>	<b>EPOXY</b>	<b>SS</b>
+	+	+	+

## C Profil 41 x 41 mm Tavan Tespit

## C Profil 41 x 41 mm Hanging Support

MODEL CODE	L (mm)	T (mm)	Weight (kg/m)
CH 41 25	250	2.5	1.17
CH 41 50	500	2.5	1.87
CH 41 75	750	2.5	2.57
CH 41 100	1000	2.5	3.28
CH 41 125	1250	2.5	3.98
CH 41 150	1500	2.5	4.68
CH 41 175	1750	2.5	5.38
CH 41 200	2000	2.5	6.08

T : Thickness  
L : Length



- \* On request thickness can be 1.5 mm or 2.0 mm.
- \*PG: Steel, Pregalvanised ISO EN 10346 (TS 822).
- \*HDG: Steel, Hot Dip Galvanised EN ISO 1461).
- \*Epoxy: Electrostatic Powder Coated.(on request 50 different color.)
- \*SS: Stainless Steel AISI304.

<b>PG</b>	<b>HDG</b>	<b>EPOXY</b>	<b>SS</b>
+	+	+	+

## I Destek 80 x 42 mm

## I Support 80 x 42 mm

MODEL CODE	D (mm)	L (mm)	Weight (kg/m)
I 80 20	80 x 42	200	1.19
I 80 30	80 x 42	300	1.79
I 80 40	80 x 42	400	2.38
I 80 50	80 x 42	500	2.98
I 80 60	80 x 42	600	3.57
I 80 70	80 x 42	700	4.17
I 80 80	80 x 42	800	4.76
I 80 90	80 x 42	900	5.36
I 80 100	80 x 42	1000	5.95
I 80 110	80 x 42	1100	6.55
I 80 120	80 x 42	1200	7.14
I 80 130	80 x 42	1300	7.74
I 80 140	80 x 42	1400	8.33
I 80 150	80 x 42	1500	8.93
I 80 175	80 x 42	1750	1.41
I 80 200	80 x 42	2000	11.90
I 80 250	80 x 42	2500	14.88
I 80 300	80 x 42	3000	17.85
I 80 600	80 x 42	6000	35.70

L : Length  
D : Dimentions



\* On request thickness can be change.

\*PG: Steel, Pregalvanised ISO EN 10346 (TS 822).

\*HDG: Steel, Hot Dip Galvanised EN ISO 1461).

\*Epoxy: Electrostatic Powder Coated.(on request 50 different color.)

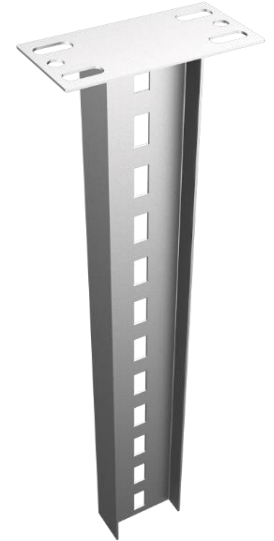
PG	HDG	EPOXY
+	+	+

## I Profil Tavan Destek

## I Profiles Hanging Support

MODEL CODE	D (mm)	L (mm)	Weight (kg/m)
IH 80 20	80 x 42	200	1.82
IH 80 30	80 x 42	300	2.41
IH 80 40	80 x 42	400	3.01
IH 80 50	80 x 42	500	3.60
IH 80 60	80 x 42	600	4.20
IH 80 70	80 x 42	700	4.79
IH 80 80	80 x 42	800	5.39
IH 80 90	80 x 42	900	5.98
IH 80 100	80 x 42	1000	6.58
IH 80 110	80 x 42	1100	7.17
IH 80 120	80 x 42	1200	7.77
IH 80 130	80 x 42	1300	8.36
IH 80 140	80 x 42	1400	8.96
IH 80 150	80 x 42	1500	9.55
IH 80 175	80 x 42	1750	11.04
IH 80 200	80 x 42	2000	12.53

L : Length  
D : Dimentions



\* On request thickness can be change.

\*PG: Steel, Pregalvanised ISO EN 10346 (TS 822).

\*HDG: Steel, Hot Dip Galvanised EN ISO 1461).

\*Epoxy: Electrostatic Powder Coated.(on request 50 different color.)

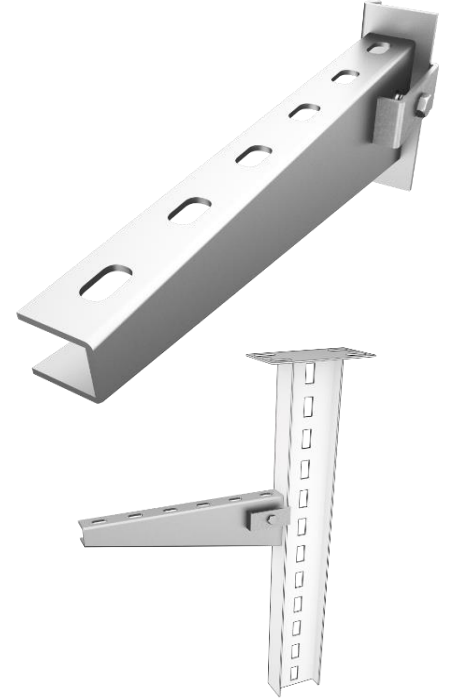
PG	HDG	EPOXY
+	+	+

## I Destek 80 x 42 mm

## I Support 80 x 42 mm

MODEL CODE	D (mm)	T (mm)	Weight (kg/m)
IB 10	80 x 42	3.0	0.56
IB 16	80 x 42	3.0	0.72
IB 20	80 x 42	3.0	0.83
IB 26	80 x 42	3.0	0.99
IB 30	80 x 42	3.0	1.10
IB 40	80 x 42	3.0	1.36
IB 45	80 x 42	3.0	1.49
IB 50	80 x 42	3.0	1.63
IB 60	80 x 42	3.0	1.90
IB 70	80 x 42	3.0	2.16
IB 80	80 x 42	3.0	2.43
IB 90	80 x 42	3.0	2.70
IB100	80 x 42	3.0	2.96

L : Length  
T : Thickness



\*PG: Steel, Pregalvanised ISO EN 10346 (TS 822).

\*HDG: Steel, Hot Dip Galvanised EN ISO 1461).

\*Epoxy: Electrostatic Powder Coated.(on request 50 different color.)

PG	HDG	EPOXY
+	+	+

## L Profil 40 x 40 mm

## L Profiles 40 x 40 mm

MODEL CODE	L (mm)	T (mm)	Weight (kg/m)
L 40 50	500	1.5	0.47
L 40 100	1000	1.5	0.94
L 40 150	15000	1.5	1.41

L : Length  
T : Thickness



\* On request thickness can be change.

\*PG: Steel, Pregalvanised ISO EN 10346 (TS 822).

\*HDG: Steel, Hot Dip Galvanised EN ISO 1461).

\*Epoxy: Electrostatic Powder Coated.(on request 50 different color.)

PG	HDG	EPOXY
+	+	+

## L Profil 40 x 40 mm Tavan Tespit

## L Profiles 40 x 40 mm Ceiling Support

MODEL CODE	L (mm)	T (mm)	Weight (kg/m)
LS 40 10	120	1.5	0.37
LS 40 30	300	1.5	0.63
LS 40 40	400	1.5	0.77
LS 40 50	500	1.5	0.91
LS 40 100	1000	1.5	1.61

\* On request thickness can be change.

\*PG: Steel, Pregalvanised ISO EN 10346 (TS 822).

\*HDG: Steel, Hot Dip Galvanised EN ISO 1461).

\*Epoxy: Electrostatic Powder Coated.(on request 50 different color.)

PG	HDG	EPOXY
+	+	+



## L Profil 40 x 40 mm Tavan Tespit

## L Profiles 40 x 40 mm Ceiling Support

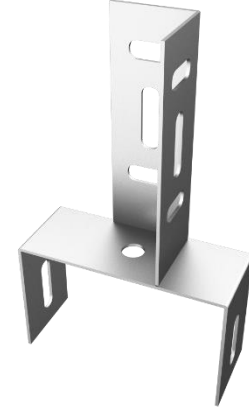
MODEL CODE	L (mm)	T (mm)	Weight (kg/m)
LS2 40 05	50	1.5	0.38
LS2 40 100	100	1.5	0.45
LS2 40 16	160	1.5	0.54
LS2 40 20	200	1.5	0.60
LS2 40 100	1000	1.5	1.61

\* On request thickness can be change.

\*PG: Steel, Pregalvanised ISO EN 10346 (TS 822).

\*HDG: Steel, Hot Dip Galvanised EN ISO 1461).

\*Epoxy: Electrostatic Powder Coated.(on request 50 different color.)



PG

HDG

EPOXY

+

+

+