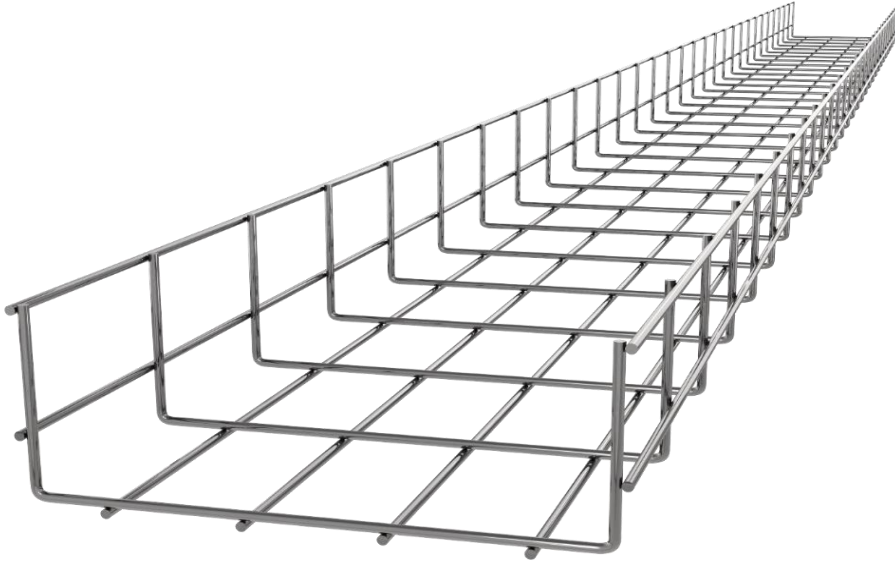

IMERA METAL

Cable Management Systems



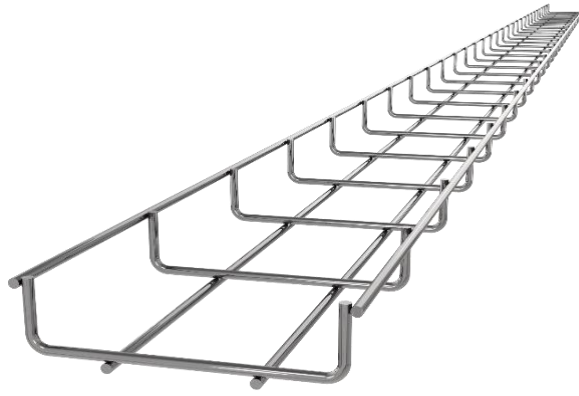
WCT SERISI

WIRE MESH CABLE TRAYS

TEL KABLO KANALI

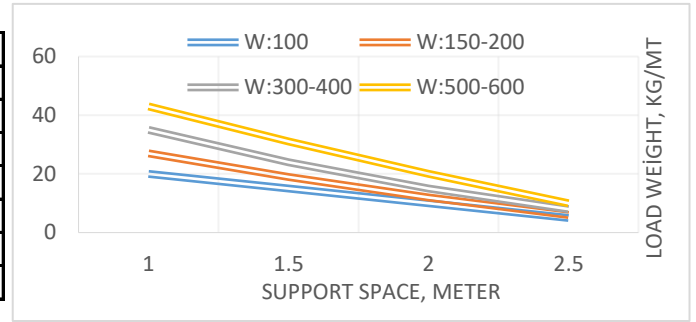
Side Height

35

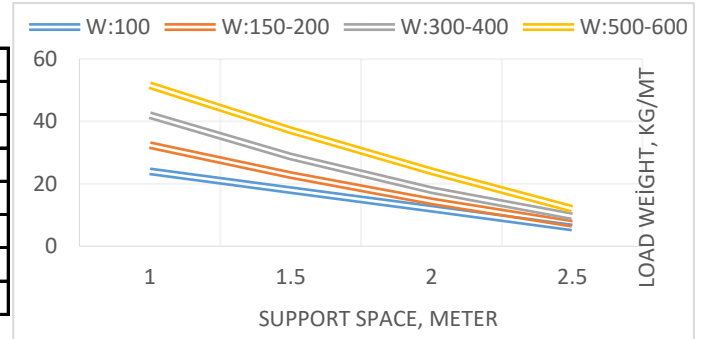


Kanal Yük Taşıma Grafiği
Load Graph

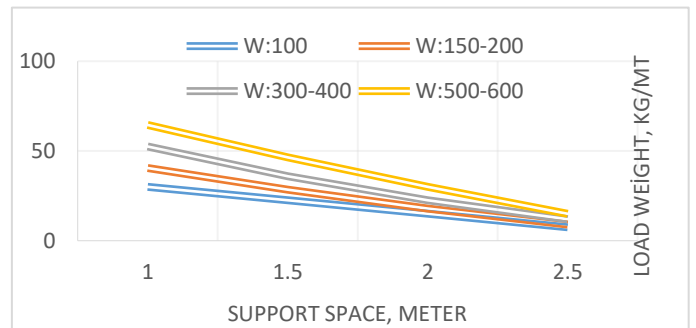
MODEL CODE	H (mm)	W (mm)	T (mm)	Weight (kg/m)
WCT 310 40	35	100	4.0	0.52
WCT 315 40	35	150	4.0	0.67
WCT 320 40	35	200	4.0	0.81
WCT 325 40	35	250	4.0	0.95
WCT 330 40	35	300	4.0	1.09
WCT 340 40	35	400	4.0	1.38
WCT 350 40	35	500	4.0	1.66
WCT 360 40	35	600	4.0	1.95



MODEL CODE	H (mm)	W (mm)	T (mm)	Weight (kg/m)
WCT 310 45	35	100	4.5	0.63
WCT 315 45	35	150	4.5	0.80
WCT 320 45	35	200	4.5	0.97
WCT 325 45	35	250	4.5	1.14
WCT 330 45	35	300	4.5	1.31
WCT 340 45	35	400	4.5	1.65
WCT 350 45	35	500	4.5	2.00
WCT 360 45	35	600	4.5	2.34



MODEL CODE	H (mm)	W (mm)	T (mm)	Weight (kg/m)
WCT 310 50	35	100	5.0	0.94
WCT 315 50	35	150	5.0	1.20
WCT 320 50	35	200	5.0	1.45
WCT 325 50	35	250	5.0	1.71
WCT 330 50	35	300	5.0	1.97
WCT 340 50	35	400	5.0	2.48
WCT 350 50	35	500	5.0	3.00
WCT 360 50	35	600	5.0	3.51



* Standart length(L) 3000 mm / on request 2500 mm, 2000 mm.

*EG: Electro Zinc Coated.

*HDG: Steel, Hot Dip Galvanised EN ISO 1461).

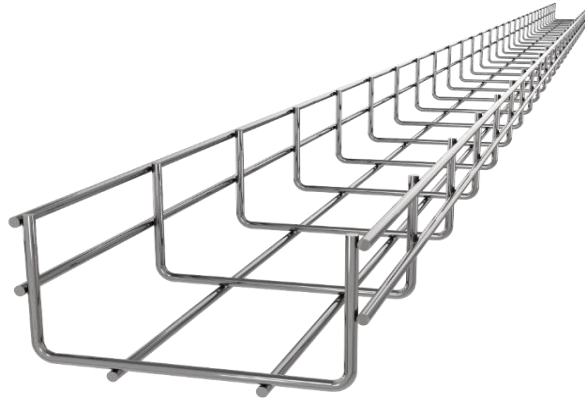
*Epoxy: Electrostatic Powder Coated.(on request 50 different color.)

*SS: Stainless Steel AISI304.

EG	HDG	EPOXY	SS
+	+	+	+

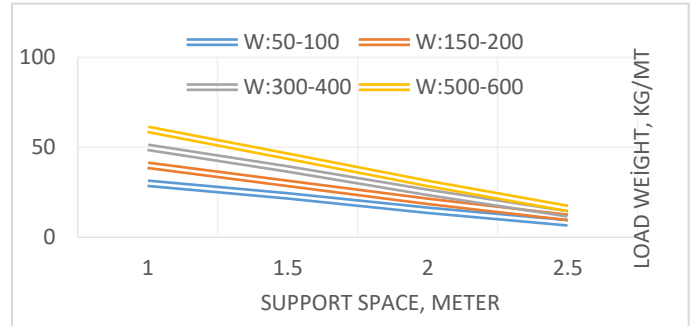
Side Height

60

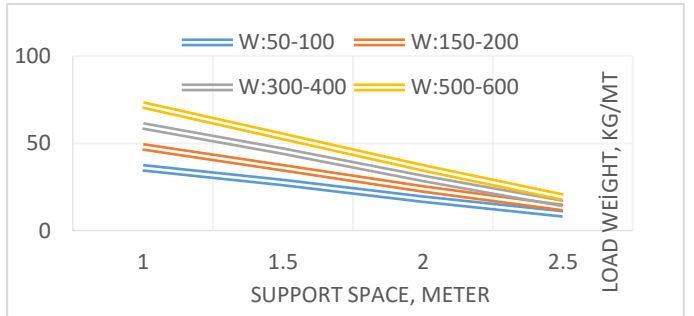


Kanal Yük Taşıma Grafiği
Load Graph

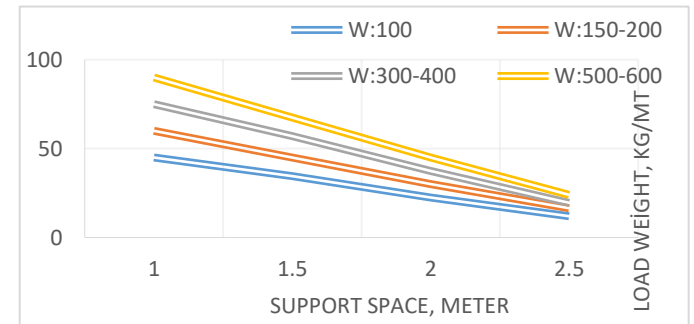
MODEL CODE	H (mm)	W (mm)	T (mm)	Weight (kg/m)
WCT 610 40	60	100	4.0	0.80
WCT 615 40	60	150	4.0	0.95
WCT 620 40	60	200	4.0	1.11
WCT 625 40	60	250	4.0	1.25
WCT 630 40	60	300	4.0	1.40
WCT 640 40	60	400	4.0	1.71
WCT 650 40	60	500	4.0	2.02
WCT 660 40	60	600	4.0	2.32



MODEL CODE	H (mm)	W (mm)	T (mm)	Weight (kg/m)
WCT 610 45	60	100	4.5	0.96
WCT 615 45	60	150	4.5	1.14
WCT 620 45	60	200	4.5	1.33
WCT 625 45	60	250	4.5	1.50
WCT 630 45	60	300	4.5	1.68
WCT 640 45	60	400	4.5	2.06
WCT 650 45	60	500	4.5	2.43
WCT 660 45	60	600	4.5	2.79



MODEL CODE	H (mm)	W (mm)	T (mm)	Weight (kg/m)
WCT 610 50	60	100	5.0	1.11
WCT 615 50	60	150	5.0	1.33
WCT 620 50	60	200	5.0	1.56
WCT 625 50	60	250	5.0	1.78
WCT 630 50	60	300	5.0	2.00
WCT 640 50	60	400	5.0	2.43
WCT 650 50	60	500	5.0	2.86
WCT 660 50	60	600	5.0	3.29



* Standart length(L) 3000 mm / on request 2500 mm, 2000 mm.

*EG: Electro Zinc Coated.

*HDG: Steel, Hot Dip Galvanised EN ISO 1461).

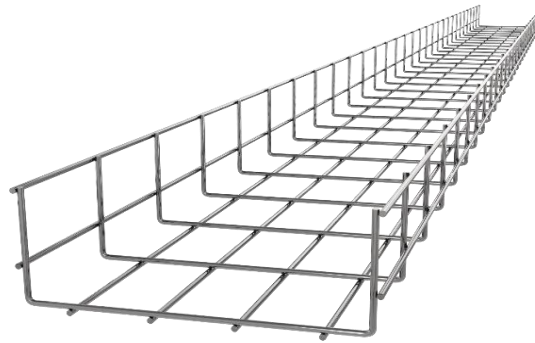
*Epoxy: Electrostatic Powder Coated.(on request 50 different color.)

*SS: Stainless Steel AISI304.

EG	HDG	EPOXY	SS
+	+	+	+

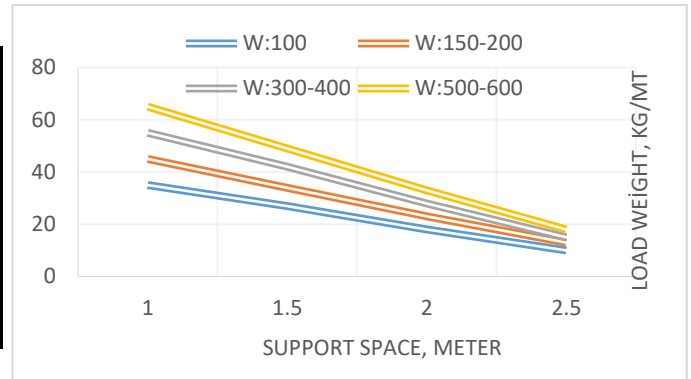
Side Height

85

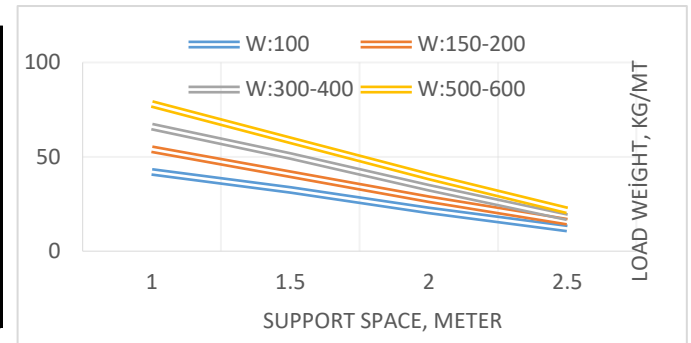


Kanal Yük Taşıma Grafiği
Load Graph

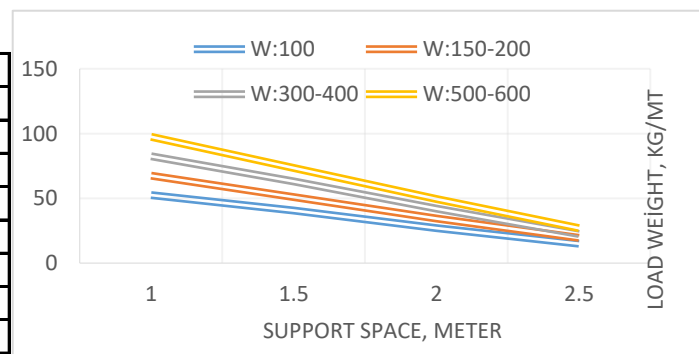
MODEL CODE	H (mm)	W (mm)	T (mm)	Weight (kg/m)
WCT 810	85	100	4.0	0.81
WCT 815	85	150	4.0	0.95
WCT 820	85	200	4.0	1.09
WCT 825	85	250	4.0	0.24
WCT 830	85	300	4.0	0.38
WCT 840	85	400	4.0	0.66
WCT 850	85	500	4.0	0.95
WCT 860	85	600	4.0	2.23
WCT 870	85	700	4.0	2.52



MODEL CODE	H (mm)	W (mm)	T (mm)	Weight (kg/m)
WCT 810	85	100	4.5	1.14
WCT 815	85	150	4.5	1.31
WCT 820	85	200	4.5	1.48
WCT 825	85	250	4.5	1.65
WCT 830	85	300	4.5	2.00
WCT 840	85	400	4.5	2.34
WCT 850	85	500	4.5	2.68
WCT 860	85	600	4.5	2.84
WCT 870	85	700	4.5	3.12



MODEL CODE	H (mm)	W (mm)	T (mm)	Weight (kg/m)
WCT 810	85	100	5.0	1.48
WCT 815	85	150	5.0	1.75
WCT 820	85	200	5.0	2.01
WCT 825	85	250	5.0	2.27
WCT 830	85	300	5.0	2.12
WCT 840	85	400	5.0	2.55
WCT 850	85	500	5.0	2.99
WCT 860	85	600	5.0	3.43
WCT 870	85	700	5.0	3.71



* Standart length(L) 3000 mm / on request 2500 mm, 2000 mm.

*EG: Electro Zinc Coated.

*HDG: Steel, Hot Dip Galvanised EN ISO 1461).

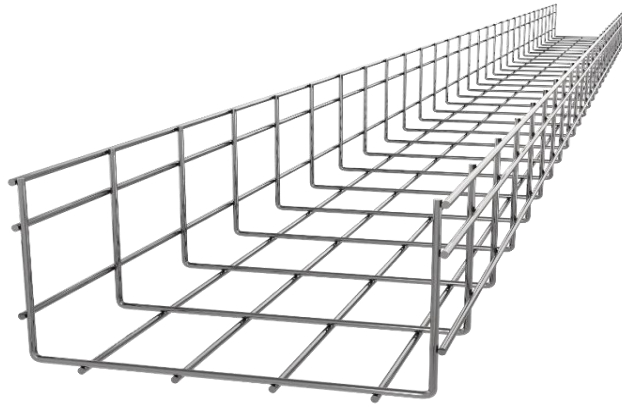
*Epoxy: Electrostatic Powder Coated.(on request 50 different color.)

*SS: Stainless Steel AISI304.

EG	HDG	EPOXY	SS
+	+	+	+

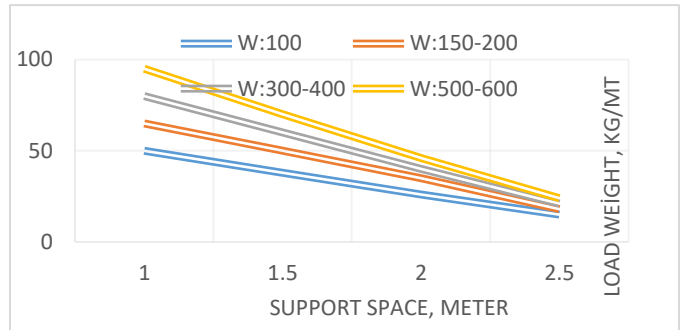
Side Height

110

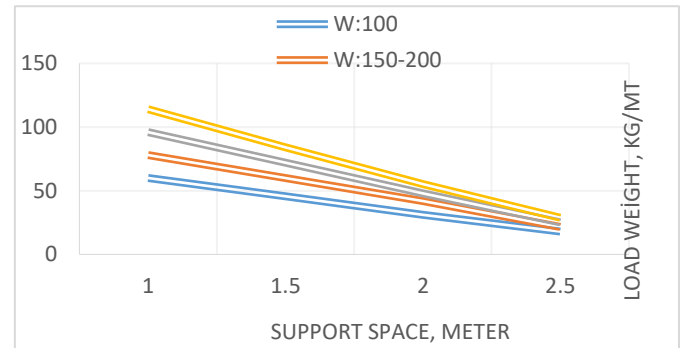


Kanal Yük Taşıma Grafiği
Load Graph

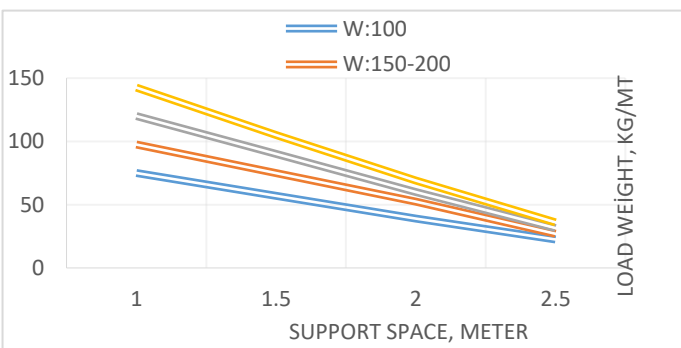
MODEL CODE	H (mm)	W (mm)	T (mm)	Weight (kg/m)
WCT 110	110	100	4.0	1.05
WCT 115	110	150	4.0	1.12
WCT 120	110	200	4.0	1.33
WCT 125	110	250	4.0	1.47
WCT 130	110	300	4.0	1.62
WCT 140	110	400	4.0	1.90
WCT 150	110	500	4.0	2.19
WCT 160	110	600	4.0	2.47
WCT 170	110	700	4.0	2.76



MODEL CODE	H (mm)	W (mm)	T (mm)	Weight (kg/m)
WCT 110	110	100	4.5	1.26
WCT 115	110	150	4.5	1.34
WCT 120	110	200	4.5	1.60
WCT 125	110	250	4.5	1.77
WCT 130	110	300	4.5	1.94
WCT 140	110	400	4.5	2.28
WCT 150	110	500	4.5	2.62
WCT 160	110	600	4.5	2.97
WCT 170	110	700	4.5	3.25



MODEL CODE	H (mm)	W (mm)	T (mm)	Weight (kg/m)
WCT 110	110	100	5.0	1.89
WCT 115	110	150	5.0	2.01
WCT 120	110	200	5.0	2.40
WCT 125	110	250	5.0	2.65
WCT 130	110	300	5.0	2.49
WCT 140	110	400	5.0	2.92
WCT 150	110	500	5.0	3.36
WCT 160	110	600	5.0	3.80
WCT 170	110	700	5.0	4.08



* Standart length(L) 3000 mm / on request 2500 mm, 2000 mm.

*EG: Electro Zinc Coated.

*HDG: Steel, Hot Dip Galvanised EN ISO 1461).

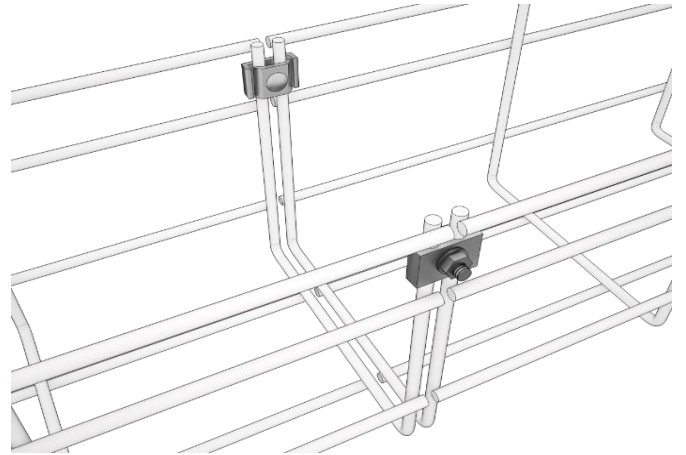
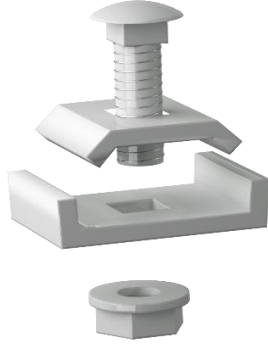
*Epoxy: Electrostatic Powder Coated.(on request 50 different color.)

*SS: Stainless Steel AISI304.

EG	HDG	EPOXY	SS
+	+	+	+

Tel Kanal Sabitleme Elemani

Fixing Unit



MODEL CODE	Size (mm)	T (mm)	Weight (kg/m)
V 30	30	2.5	1.15
V 25	25	2.5	1.41
C M6	M6 x 20		1.30
FS M6	M6		1.45

EG	HDG	EPOXY	SS
+	+	+	+

*EG: Electro Zinc Coated.

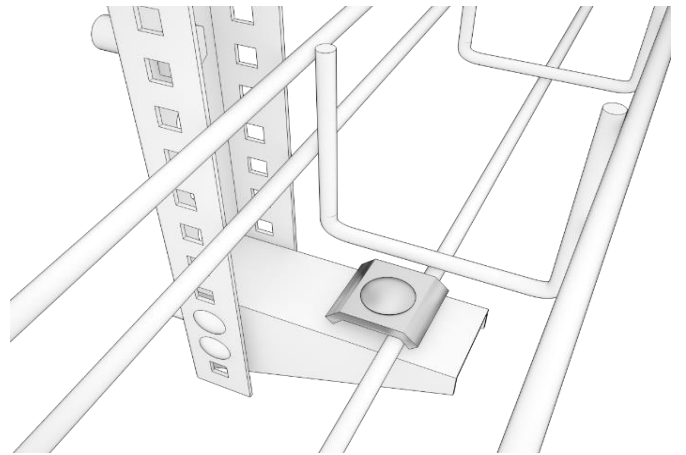
*HDG: Steel, Hot Dip Galvanised EN ISO 1461).

*Epoxy: Electrostatic Powder Coated.(on request 50 different color.)

*SS: Stainless Steel AISI304.

Tel Kanal Sabitleme Elemani

Fixing Unit



MODEL CODE	Size (mm)	T (mm)	Weight (kg/m)
V 25	25	2.5	1.41
C M6	M6 x 20		1.30
FS M6	M6		1.45

EG	HDG	EPOXY	SS
+	+	+	+

*EG: Electro Zinc Coated.

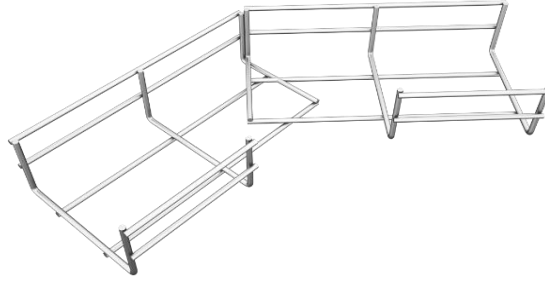
*HDG: Steel, Hot Dip Galvanised EN ISO 1461).

*Epoxy: Electrostatic Powder Coated.(on request 50 different color.)

*SS: Stainless Steel AISI304.

45° Yatay Dönüş Elemanı

45° Horizontal Bend



H: Height
W: Width
T: Thickness

MODEL CODE	H (mm)	W (mm)	T (mm)	Weight (kg/m)
WCT45 310	35	100	4.0	0.21
WCT45 315	35	150	4.0	0.40
WCT45 320	35	200	4.0	0.49
WCT45 325	35	250	4.0	0.76
WCT45 330	35	300	4.0	0.87
WCT45 340	35	400	4.0	1.38
WCT45 350	35	500	4.0	2.00
WCT45 360	35	600	4.0	2.73
WCT45 370	35	700	4.0	3.58

*On request wire mesh cable trays's wire diameter can change;
like 4.5 mm or 5.0mm.

*EG: Electro Zinc Coated.

*HDG: Steel, Hot Dip Galvanised EN ISO 1461).

*Epoxy: Electrostatic Powder Coated.(on request 50 different color.)

*SS: Stainless Steel AISI304.

MODEL CODE	H (mm)	W (mm)	T (mm)	Weight (kg/m)
WCT45 610	60	100	4.0	0.32
WCT45 615	60	150	4.0	0.56
WCT45 620	60	200	4.0	0.65
WCT45 625	60	250	4.0	0.97
WCT45 630	60	300	4.0	1.09
WCT45 640	60	400	4.0	1.64
WCT45 650	60	500	4.0	2.31
WCT45 660	60	600	4.0	3.09
WCT45 670	60	700	4.0	3.94

*On request wire mesh cable trays's wire diameter can change;
like 4.5 mm or 5.0mm.

*EG: Electro Zinc Coated.

*HDG: Steel, Hot Dip Galvanised EN ISO 1461).

*Epoxy: Electrostatic Powder Coated.(on request 50 different color.)

*SS: Stainless Steel AISI304.

MODEL CODE	H (mm)	W (mm)	T (mm)	Weight (kg/m)
WCT45 810	85	100	4.0	0.32
WCT45 815	85	150	4.0	0.57
WCT45 820	85	200	4.0	0.66
WCT45 825	85	250	4.0	0.99
WCT45 830	85	300	4.0	1.10
WCT45 840	85	400	4.0	1.66
WCT45 850	85	500	4.0	2.34
WCT45 860	85	600	4.0	3.13
WCT45 870	85	700	4.0	3.98

*On request wire mesh cable trays's wire diameter can change;
like 4.5 mm or 5.0mm.

*EG: Electro Zinc Coated.

*HDG: Steel, Hot Dip Galvanised EN ISO 1461).

*Epoxy: Electrostatic Powder Coated.(on request 50 different color.)

*SS: Stainless Steel AISI304.

MODEL CODE	H (mm)	W (mm)	T (mm)	Weight (kg/m)
WCT45 110	110	100	4.0	0.42
WCT45 115	110	150	4.0	0.67
WCT45 120	110	200	4.0	0.80
WCT45 125	110	250	4.0	1.18
WCT45 130	110	300	4.0	1.29
WCT45 140	110	400	4.0	1.90
WCT45 150	110	500	4.0	2.62
WCT45 160	110	600	4.0	3.46
WCT45 170	110	700	4.0	4.31

*On request wire mesh cable trays's wire diameter can change;
like 4.5 mm or 5.0mm.

*EG: Electro Zinc Coated.

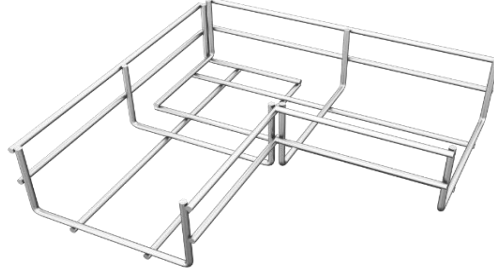
*HDG: Steel, Hot Dip Galvanised EN ISO 1461).

*Epoxy: Electrostatic Powder Coated.(on request 50 different color.)

*SS: Stainless Steel AISI304.

90° Yatay Dönüş Elemanı

90° Horizontal Bend



H: Height
W: Width
T: Thickness

MODEL CODE	H (mm)	W (mm)	T (mm)	Weight (kg/m)
WCT90 310	35	100	4.0	0.21
WCT90 315	35	150	4.0	0.40
WCT90 320	35	200	4.0	0.49
WCT90 325	35	250	4.0	0.76
WCT90 330	35	300	4.0	0.87
WCT90 340	35	400	4.0	1.38
WCT90 350	35	500	4.0	2.00
WCT90 360	35	600	4.0	2.73
WCT90 370	35	700	4.0	3.58

*On request wire mesh cable trays's wire diameter can change;
like 4.5 mm or 5.0mm.

*EG: Electro Zinc Coated.

*HDG: Steel, Hot Dip Galvanised EN ISO 1461).

*Epoxy: Electrostatic Powder Coated.(on request 50 different color.)

*SS: Stainless Steel AISI304.

MODEL CODE	H (mm)	W (mm)	T (mm)	Weight (kg/m)
WCT90 610	60	100	4.0	0.32
WCT90 615	60	150	4.0	0.56
WCT90 620	60	200	4.0	0.65
WCT90 625	60	250	4.0	0.97
WCT90 630	60	300	4.0	1.09
WCT90 640	60	400	4.0	1.64
WCT90 650	60	500	4.0	2.31
WCT90 660	60	600	4.0	3.09
WCT90 670	60	700	4.0	3.94

*On request wire mesh cable trays's wire diameter can change;
like 4.5 mm or 5.0mm.

*EG: Electro Zinc Coated.

*HDG: Steel, Hot Dip Galvanised EN ISO 1461).

*Epoxy: Electrostatic Powder Coated.(on request 50 different color.)

*SS: Stainless Steel AISI304.

MODEL CODE	H (mm)	W (mm)	T (mm)	Weight (kg/m)
WCT90 810	85	100	4.0	0.32
WCT90 815	85	150	4.0	0.57
WCT90 820	85	200	4.0	0.66
WCT90 825	85	250	4.0	0.99
WCT90 830	85	300	4.0	1.10
WCT90 840	85	400	4.0	1.66
WCT90 850	85	500	4.0	2.34
WCT90 860	85	600	4.0	3.13
WCT90 870	85	700	4.0	3.98

*On request wire mesh cable trays's wire diameter can change;
like 4.5 mm or 5.0mm.

*EG: Electro Zinc Coated.

*HDG: Steel, Hot Dip Galvanised EN ISO 1461).

*Epoxy: Electrostatic Powder Coated.(on request 50 different color.)

*SS: Stainless Steel AISI304.

MODEL CODE	H (mm)	W (mm)	T (mm)	Weight (kg/m)
WCT90 110	110	100	4.0	0.42
WCT90 115	110	150	4.0	0.67
WCT90 120	110	200	4.0	0.80
WCT90 125	110	250	4.0	1.18
WCT90 130	110	300	4.0	1.29
WCT90 140	110	400	4.0	1.90
WCT90 150	110	500	4.0	2.62
WCT90 160	110	600	4.0	3.46
WCT90 170	110	700	4.0	4.31

*On request wire mesh cable trays's wire diameter can change;
like 4.5 mm or 5.0mm.

*EG: Electro Zinc Coated.

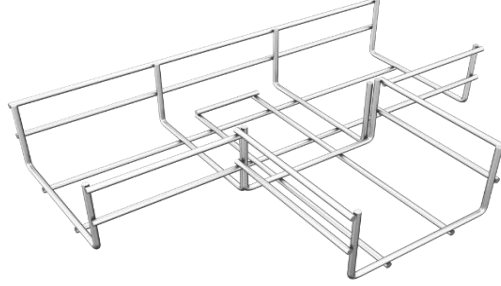
*HDG: Steel, Hot Dip Galvanised EN ISO 1461).

*Epoxy: Electrostatic Powder Coated.(on request 50 different color.)

*SS: Stainless Steel AISI304.

T Yatay Dönüş Elemanı

Tee Horizontal Bend



H: Height
W: Width
T: Thickness

MODEL CODE	H (mm)	W (mm)	T (mm)	Weight (kg/m)
WCTT 310	35	100	4.0	0.26
WCTT 315	35	150	4.0	0.47
WCTT 320	35	200	4.0	0.57
WCTT 325	35	250	4.0	0.87
WCTT 330	35	300	4.0	0.98
WCTT 340	35	400	4.0	1.52
WCTT 350	35	500	4.0	2.16
WCTT 360	35	600	4.0	2.92
WCTT 370	35	700	4.0	3.77

*On request wire mesh cable trays's wire diameter can change;
like 4.5 mm or 5.0mm.

*EG: Electro Zinc Coated.

*HDG: Steel, Hot Dip Galvanised EN ISO 1461).

*Epoxy: Electrostatic Powder Coated.(on request 50 different color.)

*SS: Stainless Steel AISI304.

MODEL CODE	H (mm)	W (mm)	T (mm)	Weight (kg/m)
WCTT 610	60	100	4.0	0.40
WCTT 615	60	150	4.0	0.65
WCTT 620	60	200	4.0	0.75
WCTT 625	60	250	4.0	1.10
WCTT 630	60	300	4.0	1.22
WCTT 640	60	400	4.0	1.81
WCTT 650	60	500	4.0	2.50
WCTT 660	60	600	4.0	3.32
WCTT 670	60	700	4.0	4.16

*On request wire mesh cable trays's wire diameter can change;
like 4.5 mm or 5.0mm.

*EG: Electro Zinc Coated.

*HDG: Steel, Hot Dip Galvanised EN ISO 1461).

*Epoxy: Electrostatic Powder Coated.(on request 50 different color.)

*SS: Stainless Steel AISI304.

MODEL CODE	H (mm)	W (mm)	T (mm)	Weight (kg/m)
WCTT 810	85	100	4.0	0.40
WCTT 815	85	150	4.0	0.67
WCTT 820	85	200	4.0	0.77
WCTT 825	85	250	4.0	1.11
WCTT 830	85	300	4.0	1.24
WCTT 840	85	400	4.0	1.83
WCTT 850	85	500	4.0	2.53
WCTT 860	85	600	4.0	3.35
WCTT 870	85	700	4.0	4.20

*On request wire mesh cable trays's wire diameter can change;
like 4.5 mm or 5.0mm.

*EG: Electro Zinc Coated.

*HDG: Steel, Hot Dip Galvanised EN ISO 1461).

*Epoxy: Electrostatic Powder Coated.(on request 50 different color.)

*SS: Stainless Steel AISI304.

MODEL CODE	H (mm)	W (mm)	T (mm)	Weight (kg/m)
WCTT 110	110	100	4.0	0.53
WCTT 115	110	150	4.0	0.78
WCTT 120	110	200	4.0	0.94
WCTT 125	110	250	4.0	1.33
WCTT 130	110	300	4.0	1.45
WCTT 140	110	400	4.0	2.09
WCTT 150	110	500	4.0	2.84
WCTT 160	110	600	4.0	3.71
WCTT 170	110	700	4.0	4.56

*On request wire mesh cable trays's wire diameter can change;
like 4.5 mm or 5.0mm.

*EG: Electro Zinc Coated.

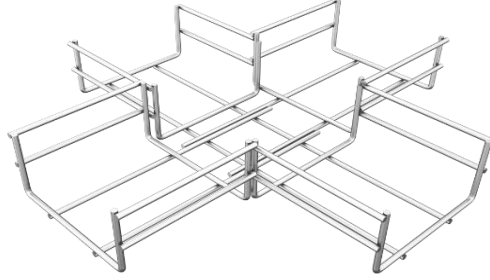
*HDG: Steel, Hot Dip Galvanised EN ISO 1461).

*Epoxy: Electrostatic Powder Coated.(on request 50 different color.)

*SS: Stainless Steel AISI304.

Dörtlü Kanal Dönüş Elemanı

Crossing Horizontal Bend



H: Height
W: Width
T: Thickness

MODEL CODE	H (mm)	W (mm)	T (mm)	Weight (kg/m)
WCTC 310	35	100	4.0	0.31
WCTC 315	35	150	4.0	0.53
WCTC 320	35	200	4.0	0.65
WCTC 325	35	250	4.0	0.95
WCTC 330	35	300	4.0	1.09
WCTC 340	35	400	4.0	1.65
WCTC 350	35	500	4.0	2.33
WCTC 360	35	600	4.0	3.12
WCTC 370	35	700	4.0	3.97

*On request wire mesh cable trays's wire diameter can change;
like 4.5 mm or 5.0mm.
*EG: Electro Zinc Coated.
*HDG: Steel, Hot Dip Galvanised EN ISO 1461).
*Epoxy: Electrostatic Powder Coated.(on request 50 different color.)
*SS: Stainless Steel AISI304.

MODEL CODE	H (mm)	W (mm)	T (mm)	Weight (kg/m)
WCTC 610	60	100	4.0	0.48
WCTC 615	60	150	4.0	0.75
WCTC 620	60	200	4.0	0.86
WCTC 625	60	250	4.0	1.22
WCTC 630	60	300	4.0	1.36
WCTC 640	60	400	4.0	1.97
WCTC 650	60	500	4.0	2.70
WCTC 660	60	600	4.0	3.54
WCTC 670	60	700	4.0	4.38

*On request wire mesh cable trays's wire diameter can change;
like 4.5 mm or 5.0mm.
*EG: Electro Zinc Coated.
*HDG: Steel, Hot Dip Galvanised EN ISO 1461).
*Epoxy: Electrostatic Powder Coated.(on request 50 different color.)
*SS: Stainless Steel AISI304.

MODEL CODE	H (mm)	W (mm)	T (mm)	Weight (kg/m)
WCTC 810	85	100	4.0	0.49
WCTC 815	85	150	4.0	0.76
WCTC 820	85	200	4.0	0.87
WCTC 825	85	250	4.0	1.24
WCTC 830	85	300	4.0	1.38
WCTC 840	85	400	4.0	2.00
WCTC 850	85	500	4.0	2.73
WCTC 860	85	600	4.0	3.57
WCTC 870	85	700	4.0	4.42

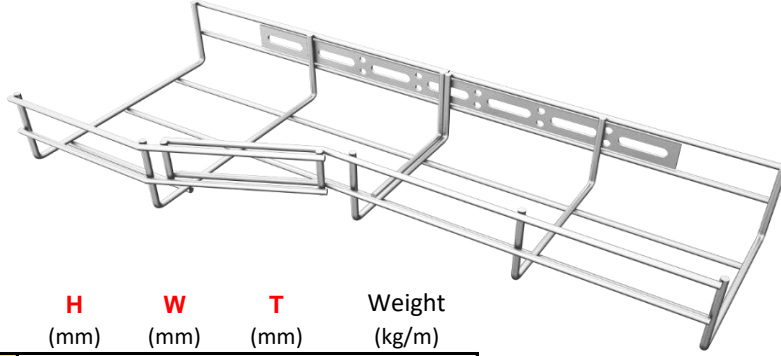
*On request wire mesh cable trays's wire diameter can change;
like 4.5 mm or 5.0mm.
*EG: Electro Zinc Coated.
*HDG: Steel, Hot Dip Galvanised EN ISO 1461).
*Epoxy: Electrostatic Powder Coated.(on request 50 different color.)
*SS: Stainless Steel AISI304.

MODEL CODE	H (mm)	W (mm)	T (mm)	Weight (kg/m)
WCTC 110	110	100	4.0	0.63
WCTC 115	110	150	4.0	0.89
WCTC 120	110	200	4.0	1.07
WCTC 125	110	250	4.0	1.47
WCTC 130	110	300	4.0	1.62
WCTC 140	110	400	4.0	2.28
WCTC 150	110	500	4.0	3.06
WCTC 160	110	600	4.0	3.96
WCTC 170	110	700	4.0	4.80

*On request wire mesh cable trays's wire diameter can change;
like 4.5 mm or 5.0mm.
*EG: Electro Zinc Coated.
*HDG: Steel, Hot Dip Galvanised EN ISO 1461).
*Epoxy: Electrostatic Powder Coated.(on request 50 different color.)
*SS: Stainless Steel AISI304.

Redüksiyon

Reducer



H: Height
W: Width
T: Thickness

MODEL CODE	H (mm)	W (mm)	T (mm)	Weight (kg/m)
WCTR 315	35	150-100	4.0	0.41
WCTR 320	35	200-100	4.0	0.53
WCTR 1 320	35	200-150	4.0	0.51
WCTR 330	35	300-100	4.0	0.87
WCTR 1 330	35	300-200	4.0	0.76
WCTR 340	35	400-100	4.0	1.31
WCTR 1 340	35	400-300	4.0	0.99
WCTR 350	35	500-100	4.0	1.87
WCTR 1 350	35	500-400	4.0	1.22
WCTR 360	35	600-100	4.0	2.55
WCTR 1 360	35	600-500	4.0	1.45
WCTR 370	35	700-100	4.0	3.27
WCTR 1 370	35	700-600	4.0	1.69

*Reducers directions : right side, left side, middle. Ask on offer.

*On request wire mesh cable trays's wire diameter can change;
like 4.5 mm or 5.0mm.

*EG: Electro Zinc Coated.

*HDG: Steel, Hot Dip Galvanised EN ISO 1461).

*Epoxy: Electrostatic Powder Coated.(on request 50 different color.)

*SS: Stainless Steel AISI304.

MODEL CODE	H (mm)	W (mm)	T (mm)	Weight (kg/m)
WCTR 615	60	150-100	4.0	0.60
WCTR 620	60	200-100	4.0	0.75
WCTR 1 620	60	200-150	4.0	0.70
WCTR 630	60	300-100	4.0	1.13
WCTR 1 630	60	300-200	4.0	0.97
WCTR 640	60	400-100	4.0	1.63
WCTR 1 640	60	400-300	4.0	1.20
WCTR 650	60	500-100	4.0	2.24
WCTR 1 650	60	500-400	4.0	1.43
WCTR 660	60	600-100	4.0	2.97
WCTR 1 660	60	600-500	4.0	1.66
WCTR 670	60	700-100	4.0	3.66
WCTR 1 670	60	700-600	4.0	1.89

*Reducers directions : right side, left side, middle. Ask on offer.

*On request wire mesh cable trays's wire diameter can change;
like 4.5 mm or 5.0mm.

*EG: Electro Zinc Coated.

*HDG: Steel, Hot Dip Galvanised EN ISO 1461).

*Epoxy: Electrostatic Powder Coated.(on request 50 different color.)

*SS: Stainless Steel AISI304.

MODEL CODE	H (mm)	W (mm)	T (mm)	Weight (kg/m)
WCTR 815	85	150-100	4.0	0.61
WCTR 820	85	200-100	4.0	0.76
WCTR 1 820	85	200-150	4.0	0.71
WCTR 830	85	300-100	4.0	1.15
WCTR 1 830	85	300-200	4.0	0.99
WCTR 840	85	400-100	4.0	1.65
WCTR 1 840	85	400-300	4.0	1.22
WCTR 850	85	500-100	4.0	2.27
WCTR 1 850	85	500-400	4.0	1.45
WCTR 860	85	600-100	4.0	3.00
WCTR 1 860	85	600-500	4.0	1.67
WCTR 870	85	700-100	4.0	3.80
WCTR 1 870	85	700-600	4.0	1.93

*Reducers directions : right side, left side, middle. Ask on offer.

*On request wire mesh cable trays's wire diameter can change;
like 4.5 mm or 5.0mm.

*EG: Electro Zinc Coated.

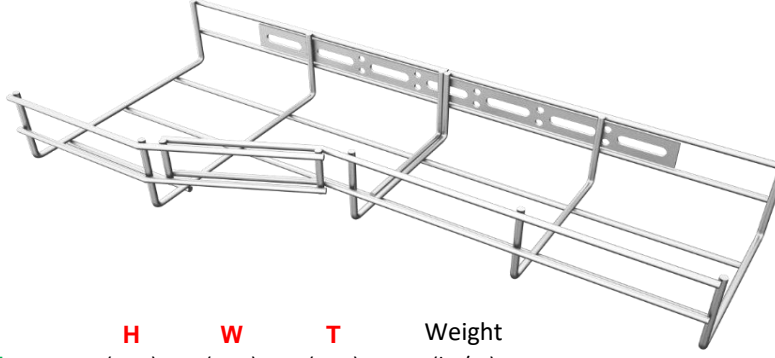
*HDG: Steel, Hot Dip Galvanised EN ISO 1461).

*Epoxy: Electrostatic Powder Coated.(on request 50 different color.)

*SS: Stainless Steel AISI304.

Redüksiyon

Reducer



H: Height
W: Width
T: Thickness

MODEL CODE	H (mm)	W (mm)	T (mm)	Weight (kg/m)
WCTR 115	110	150-100	4.0	0.76
WCTR 120	110	200-100	4.0	0.95
WCTR 1 120	110	200-150	4.0	0.85
WCTR 130	110	300-100	4.0	1.39
WCTR 1 130	110	300-200	4.0	1.18
WCTR 140	110	400-100	4.0	1.94
WCTR 1 140	110	400-300	4.0	1.41
WCTR 150	110	500-100	4.0	2.61
WCTR 1 150	110	500-400	4.0	1.64
WCTR 160	110	600-100	4.0	3.39
WCTR 1 160	110	600-500	4.0	1.86
WCTR 170	110	700-100	4.0	3.80
WCTR 1 170	110	700-600	4.0	2.06

*Reducers directions : right side, left side, middle. Ask on offer.

*On request wire mesh cable trays's wire diameter can change; like 4.5 mm or 5.0mm.

*EG: Electro Zinc Coated.

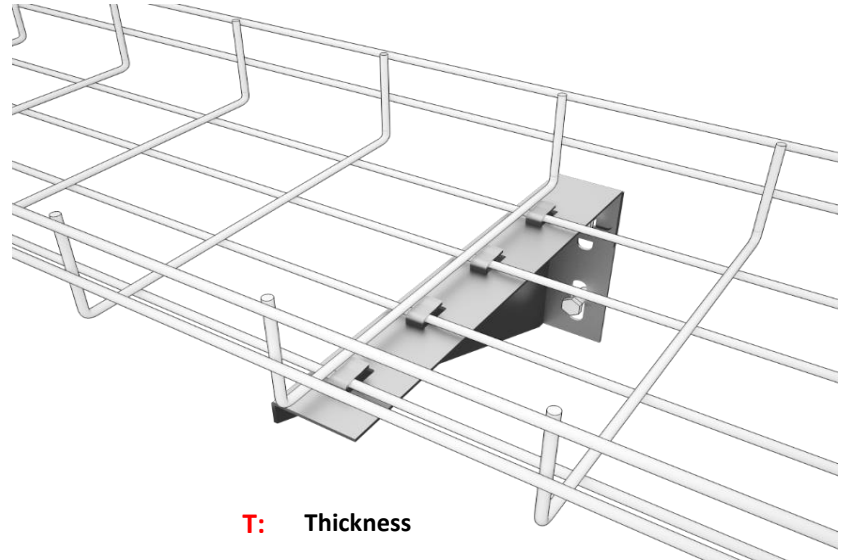
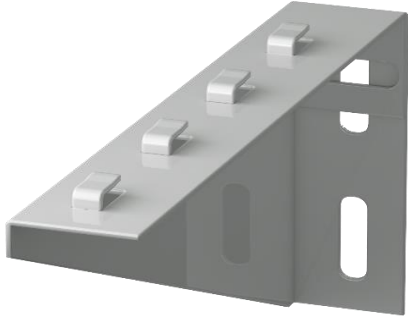
*HDG: Steel, Hot Dip Galvanised EN ISO 1461).

*Epoxy: Electrostatic Powder Coated.(on request 50 different color.)

*SS: Stainless Steel AISI304.

Tel Kanal Duvar Konsolu

Support for Wall Mounting



T: Thickness

MODEL CODE	Size (mm)	T (mm)	Weight (kg/m)
WW 10	100	1.5	0.10
WW 15	150	1.5	0.19
WW 20	200	1.5	0.23
WW 25	250	1.5	0.26
WW 30	300	2.0	0.37
WW 40	400	2.0	0.57
WW 50	500	2.0	0.71
WW 60	600	2.0	0.85
WW 70	700	2.0	0.99

*EG: Electro Zinc Coated.

*HDG: Steel, Hot Dip Galvanised EN ISO 1461).

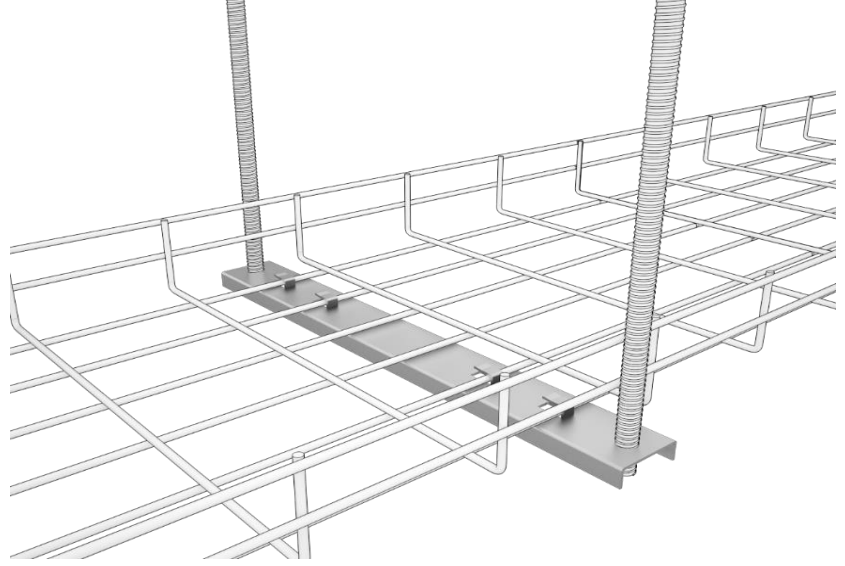
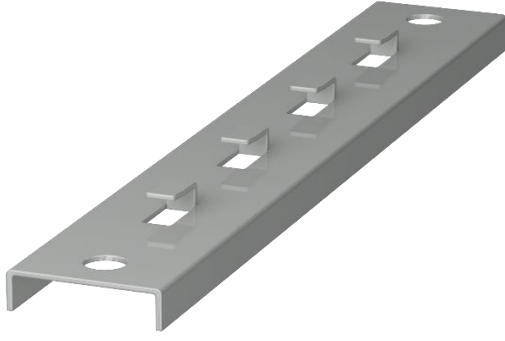
*Epoxy: Electrostatic Powder Coated.(on request 50 different color.)

*SS: Stainless Steel AISI304.

EG	HDG	EPOXY	SS
+	+	+	+

Çift Tijli Kanal Taşıyıcı

Hanging Rail with Double Threaded Rod



MODEL CODE	Size (mm)	T (mm)	Weight (kg/m)
WDS 15	150	1.5	0.14
WDS 20	200	1.5	0.18
WDS 25	250	1.5	0.21
WDS 30	300	1.5	0.24
WDS 40	400	1.5	0.31
WDS 50	500	1.5	0.38
WDS 60	600	1.5	0.44
WDS 70	700	1.5	0.52

T: Thickness

*EG: Electro Zinc Coated.

*HDG: Steel, Hot Dip Galvanised EN ISO 1461).

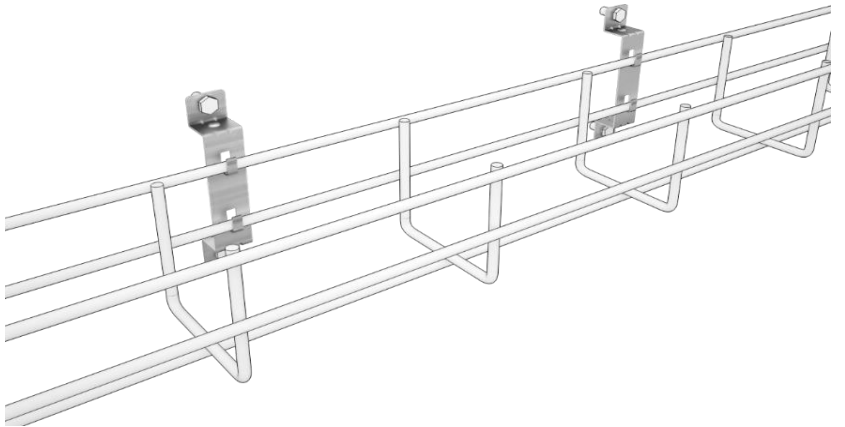
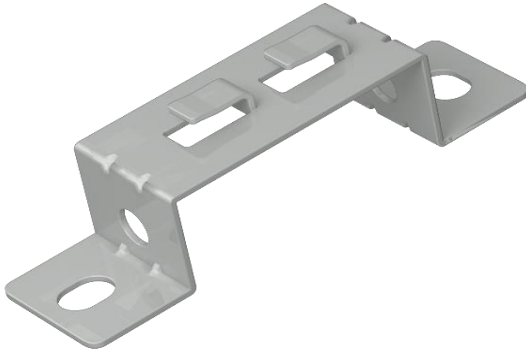
*Epoxy: Electrostatic Powder Coated.(on request 50 different color.)

*SS: Stainless Steel AISI304.

EG	HDG	EPOXY	SS
+	+	+	+

Yandan Destekli Taşıyıcı

Hanger with Side Support



MODEL CODE	Size (mm)	T (mm)	Weight (kg/m)
SS	113x30x30	1.5	0.11

T: Thickness

*EG: Electro Zinc Coated.

*HDG: Steel, Hot Dip Galvanised EN ISO 1461).

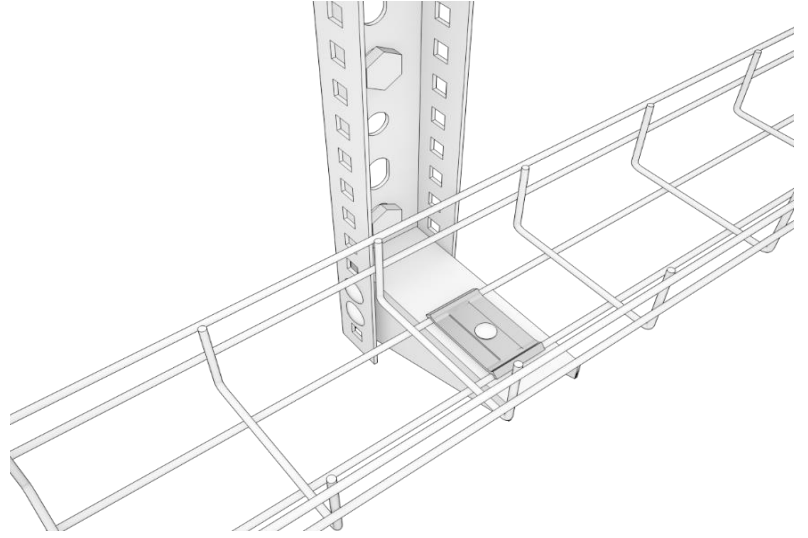
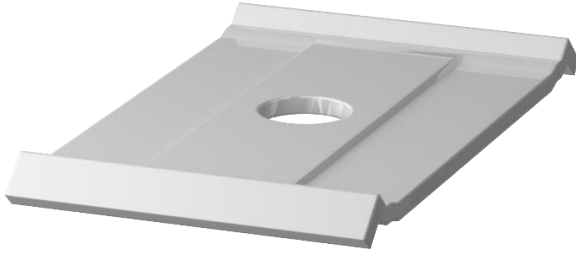
*Epoxy: Electrostatic Powder Coated.(on request 50 different color.)

*SS: Stainless Steel AISI304.

EG	HDG	EPOXY	SS
+	+	+	+

Ortadan Tek Tijli Kanal Taşıyıcı

Hanging Rail with Single Threaded Rod (Central)



MODEL CODE

Size (mm) **T** (mm) Weight (kg/m)

WMS **60X35** **2.0** **0.03**

*EG: Electro Zinc Coated.

*HDG: Steel, Hot Dip Galvanised EN ISO 1461).

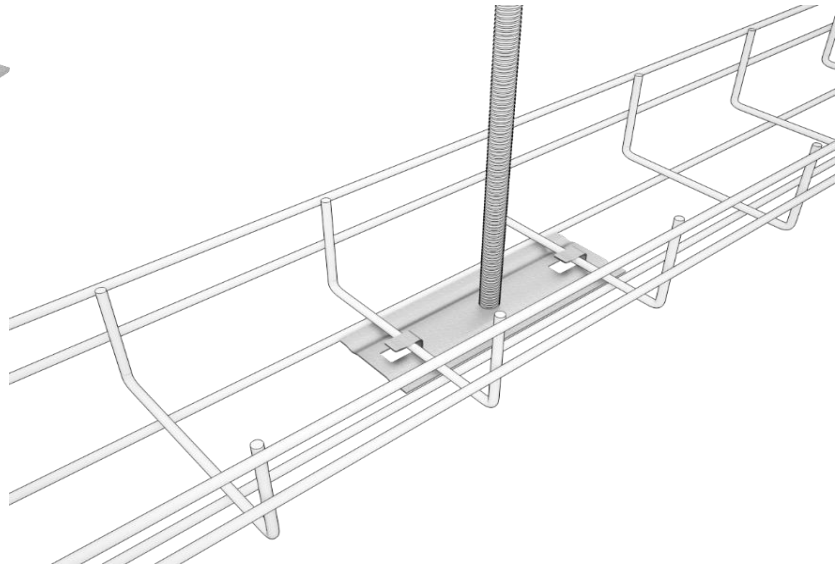
*Epoxy: Electrostatic Powder Coated.(on request 50 different color.)

*SS: Stainless Steel AISI304.

EG **HDG** **EPOXY** **SS**
+ + + +

Tijli Aski Elemanı

Hanger Central Support



MODEL CODE

Size (mm) **T** (mm) Weight (kg/m)

WCS **130X45** **1.2** **0.05**

*EG: Electro Zinc Coated.

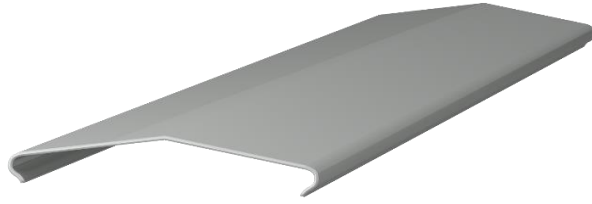
*HDG: Steel, Hot Dip Galvanised EN ISO 1461).

*Epoxy: Electrostatic Powder Coated.(on request 50 different color.)

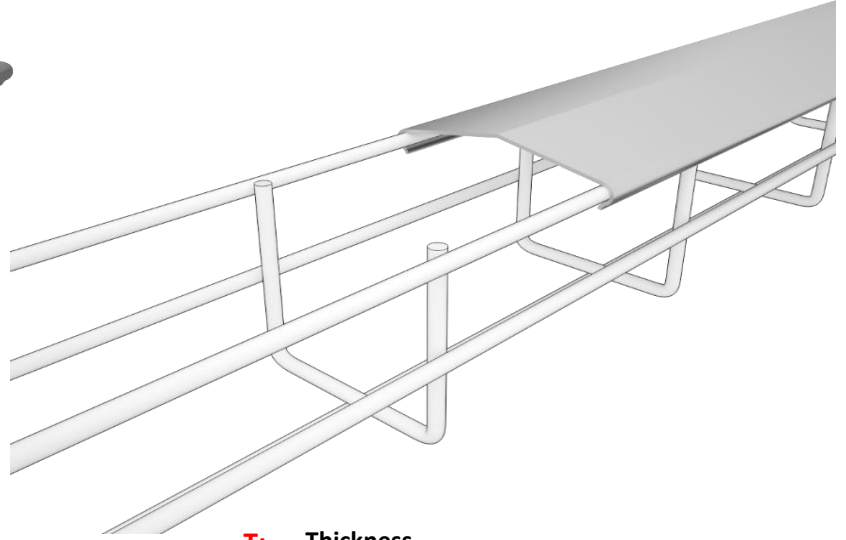
*SS: Stainless Steel AISI304.

EG **HDG** **EPOXY** **SS**
+ + + +

Tel Kablo Kanal Kapağı



Wire Mesh Cable Tray Covers



T: Thickness

MODEL CODE	Size (mm)	T (mm)	Weight (kg/m)
WCTC 5	50	1.0	0.71
WCTC 10	100	1.0	1.10
WCTC 15	150	1.0	1.49
WCTC 20	200	1.0	1.88
WCTC 25	250	1.0	2.28
WCTC 30	300	1.5	4.00
WCTC 40	400	1.5	5.18
WCTC 50	500	1.5	6.36
WCTC 60	600	1.5	7.54
WCTC 70	700	1.5	8.74

*EG: Electro Zinc Coated.

*HDG: Steel, Hot Dip Galvanised EN ISO 1461).

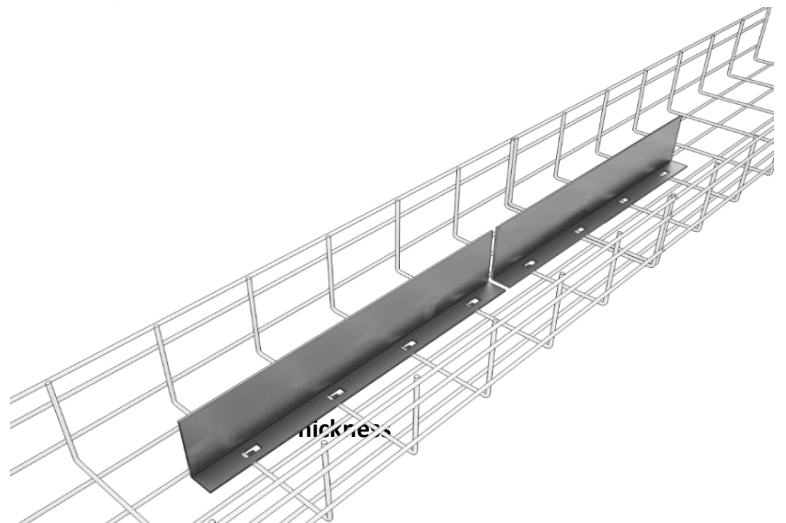
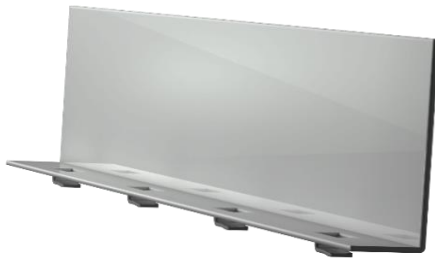
*Epoxy: Electrostatic Powder Coated.(on request 50 different color.)

*SS: Stainless Steel AISI304.

EG	HDG	EPOXY	SS
+	+	+	+

Seperatör

Separator



MODEL CODE	Size (mm)	T (mm)	Weight (kg/m)
WBRS 25	25	1.0	0.43
WBRS 50	50	1.0	0.63
WBRS 75	75	1.0	0.82
WBRS 100	100	1.0	1.02

*EG: Electro Zinc Coated.

*HDG: Steel, Hot Dip Galvanised EN ISO 1461).

*Epoxy: Electrostatic Powder Coated.(on request 50 different color.)

*SS: Stainless Steel AISI304.

EG	HDG	EPOXY	SS
+	+	+	+